

AT9K

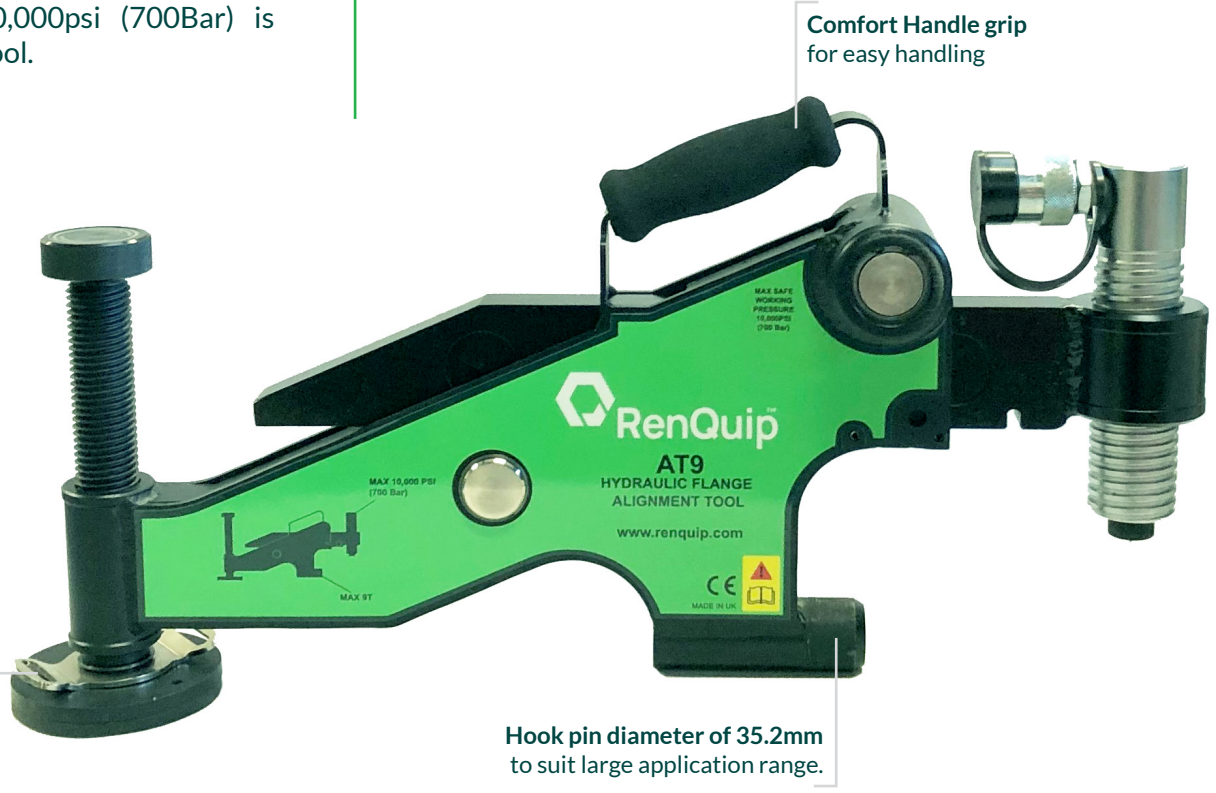
Hydraulic Flange Alignment Tool

The AT9K is a Hydraulic flange alignment tool designed for medium and large flanges that is used to correct:

- **linear misalignment**
(when the axis of the two flanges are not aligned).
- **rotational misalignment**
(when the axis of the flanges are aligned but the bolt holes are not).

The AT9K can produce a maximum reaction alignment force of 90kN when the maximum hydraulic pressure of 10,000psi (700Bar) is applied to the tool.

- Tool weight 14.5Kg
- No external anchor points or rigging required.
- Can be used to prevent misalignment during flange joint maintenance.
- Bearings rated to provide overload warning.
- 100% Load/Pressure tested and certified.
- Prevents gasket pinching during flange joint assembly.
- High durability High Quality low Maintenance design.
- Supplied with pressure rated and capacity matched pump for safety.
- Robust Moulded Case for easy transportation and storage.



Ratchet strap anchor point to secure tool to flange joint

Hook pin diameter of 35.2mm to suit large application range.

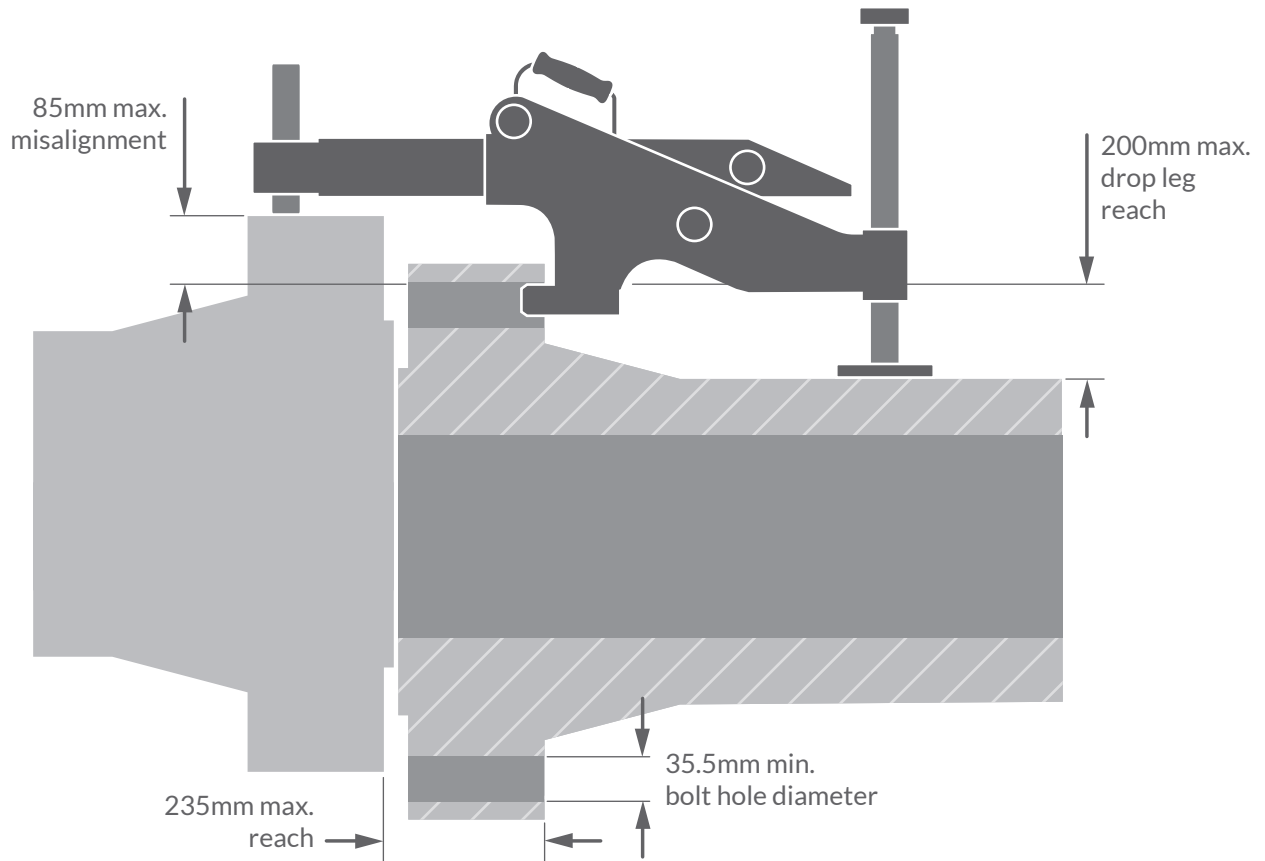
Comfort Handle grip for easy handling

Engineered Energy Equipment

Product Sales | Product Rental | Bespoke Solutions

AT9K

Hydraulic Flange Alignment Tool



Kit weight : 26Kg

Kit Dims.: 920mm x 510mm x 210mm

Tool Weight: 14.5Kg

Tool Dims.: 100mm x 230mm x 540mm

Product ordering code: AT9K

Kit Content

- 1 x AT9 Tool
- 1 x 10,000psi (700 Bar) Hydraulic Sealed Hand Pump
- 1 x 10,000psi (700 Bar) Hydraulic Hose 2.1M long
- 1 x 10,000psi (700 Bar) Hydraulic Gauge
- 1 x Ratchet and Strap
- 1 x Instruction Manual
- 1 x Robust moulded carry case



Engineered Energy Equipment

Product Sales | Product Rental | Bespoke Solutions

www.renquip.com

Unit 1 Dunnottar House, Howe Moss Drive, Dyce, Aberdeen, AB21 0FN
+44(0) 1224001861 | info@renquip.com